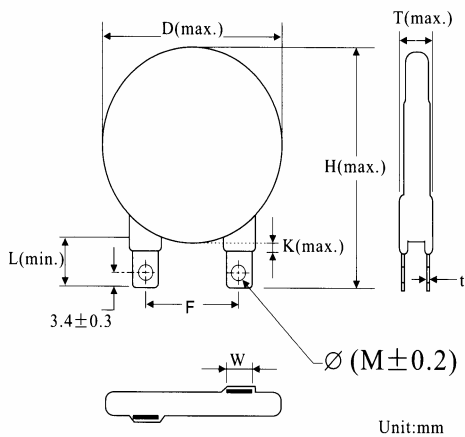


● **40D series**

| Model Number | Maximum Allowable Voltage | | Varistor Voltage V 1m (V) | Clamping Voltage (MAX.) | | Maximum Peak Current (8/20μs) | | Maximum Energy (JOULE) 10/1000 μs | Typical Capacitance (Reference) @1KHz (pf) | UL | CSA |
|--------------|---------------------------|-----------|---------------------------------|-------------------------|-----------|-------------------------------|---------------|---|--|----|-----|
| | AC (V) | DC (V) | | VC (V) | IP (A) | 1 time (A) | 2 time (A) | | | | |
| | 40D201K | 130 | 170 | 200(185-225) | 340 | 300 | 40000 | 20000 | 370 | | |
| 40D241K | 150 | 200 | 240(216-264) | 395 | 430 | | | | 8000 | * | * |
| 40D271K | 175 | 225 | 270(243-297) | 455 | 470 | | | | 7600 | * | * |
| 40D331K | 210 | 275 | 330(297-363) | 550 | 550 | | | | 6700 | * | * |
| 40D361K | 230 | 300 | 360(324-396) | 595 | 570 | | | | 6200 | * | * |
| 40D391K | 250 | 320 | 390(351-429) | 650 | 590 | | | | 5100 | * | * |
| 40D431K | 275 | 350 | 430(387-473) | 710 | 660 | | | | 4900 | * | * |
| 40D471K | 300 | 385 | 470(423-517) | 775 | 720 | | | | 4300 | * | * |
| 40D511K | 320 | 415 | 510(459-561) | 845 | 770 | | | | 4200 | * | * |
| 40D621K | 385 | 505 | 620(558-682) | 1025 | 860 | | | | 3800 | * | * |
| 40D681K | 420 | 560 | 680(612-748) | 1120 | 900 | | | | 3500 | * | * |
| 40D751K | 460 | 615 | 750(675-825) | 1240 | 940 | | | | 3200 | * | * |
| 40D781K | 485 | 640 | 780(702-858) | 1290 | 980 | | | | 3000 | * | * |
| 40D821K | 510 | 670 | 820(738-902) | 1355 | 1080 | | | | 2900 | * | * |
| 40D911K | 550 | 745 | 910(819-1001) | 1500 | 1150 | | | | 2200 | * | * |
| 40D951K | 575 | 765 | 950(855-1045) | 1570 | 1200 | | | | 2000 | * | * |
| 40D102K | 625 | 825 | 1000(900-1100) | 1650 | 1260 | | | | 1800 | * | * |
| 40D112K | 680 | 895 | 1100(990-1210) | 1815 | 1380 | | | | 1600 | * | * |
| 40D122K | 750 | 990 | 1200(1080-1320) | 1980 | 1380 | | | | 1500 | | * |
| 40D152K | 900 | 1200 | 1500(1350-1650) | 2475 | 1550 | | | | 1300 | | * |
| 40D182K | 1000 | 1465 | 1800(1620-1980) | 2970 | 1800 | 1150 | | * | | | |

DIMENSIONS



| | |
|-----------|----------|
| D (max.) | 45 |
| H (max.) | 60.2 |
| T (max.) | Ref.Tab1 |
| F (±0.5) | 25.4 |
| t (±0.1) | 0.5 |
| L (min.) | 16.5 |
| K (max.) | 3.18 |
| W (±0.5) | 7.0 |
| Ø (M±0.2) | 3.8 |

Tab1.

| Model | T (max.) | Model | T (max.) |
|-------|----------|-------|----------|
| 201K | 6.2 | 751K | 9.4 |
| 241K | 6.4 | 781K | 9.6 |
| 271K | 6.6 | 821K | 9.8 |
| 331K | 6.9 | 911K | 10.4 |
| 361K | 7.1 | 951K | 10.6 |
| 391K | 7.3 | 102K | 11.2 |
| 431K | 7.5 | 112K | 11.8 |
| 511K | 8.0 | 152K | 13.3 |
| 621K | 8.7 | 182K | 14.3 |
| 681K | 9.0 | | |