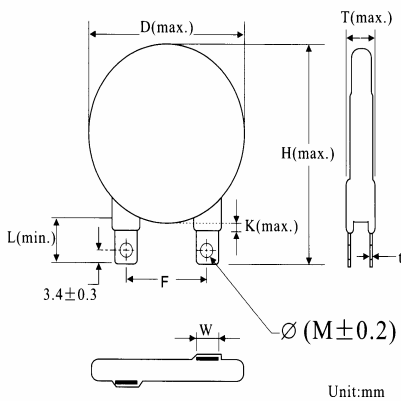


● **53D series**

Model Number	Maximum Allowable Voltage		Varistor Voltage V <sub>1m</sub> (V)	Clamping Voltage (MAX.)		Maximum Peak Current (8/20μs)		Maximum Energy (JOULE) 10/1000 μs	Typical Capacitance (Reference) @ 1KHz (pF)	UL	CSA
	AC (V)	DC (V)		VC (V)	IP (A)	1 time (A)	2 time (A)				
	53D201K	130	170	200(185-225)	340	500	70000	40000	550		
53D241K	150	200	240(216-264)	395	650				12500	*	*
53D271K	175	225	270(243-297)	455	700				11000	*	*
53D331K	210	275	330(297-363)	550	825				9000	*	*
53D361K	230	300	360(324-396)	595	850				8500	*	*
53D391K	250	320	390(351-429)	650	885				7500	*	*
53D431K	275	350	430(387-473)	710	990				7000	*	*
53D471K	300	385	470(423-517)	775	1080				6500	*	*
53D511K	320	415	510(459-561)	845	1150				6000	*	*
53D621K	385	505	620(558-682)	1025	1300				5000	*	*
53D681K	420	560	680(612-748)	1120	1350				4500	*	*
53D751K	460	615	750(675-825)	1240	1400				4000	*	*
53D781K	485	640	780(702-858)	1290	1450				3900	*	*
53D821K	510	670	820(738-902)	1355	1600				3700	*	*
53D911K	550	745	910(819-1001)	1500	1700				3300	*	*
53D951K	575	765	950(855-1045)	1570	1800				3200	*	*
53D102K	625	825	1000(900-1100)	1650	1890				3000	*	*
53D112K	680	895	1100(990-1210)	1815	2050				2700	*	*
53D122K	750	990	1200(1080-1320)	1980	2050				2500		*
53D142K	880	1140	1400(1260-1540)	2310	2300				2150		*
53D162K	1000	1280	1600(1440-1760)	2640	2500	1900		*			

**DIMENSIONS**



D (max.)	60
H (max.)	78.2
T (max.)	Ref.Tab1
F (±0.5)	25.4
t (±0.1)	0.7
L (min.)	16.5
K (max.)	3.18
W (±0.5)	9.7
Ø (M±0.2)	4.15

Tab1.

Model	T (max.)	Model	T (max.)
201K	6.3	751K	9.5
241K	6.5	781K	9.6
271K	6.7	821K	9.9
331K	7.0	911K	10.5
361K	7.2	951K	10.7
391K	7.4	102K	11.3
431K	7.6	112K	11.9
471K	7.9	122K	12.4
511K	8.1	142K	13.4
621K	8.8	162K	14.4
681K	9.1		