

FEATURES

- Ultra large capacitance in small size
- Non linear temperature coefficient of capacitance

Part No. Designation

Example	S	B	1C	104	K	-	K	5	5	5	B
	(1)	(2)	(3)	(4)	(5)		(6)	(7)	(8)	(9)	(10)

1. Class 3 — Type 'S'

2. Temperature Coefficient (Ref. Fig 2)

Code	Temp. Range	Cap. Change	EIA Code
B	-25°C ~ +85°C	±10%	Y5P
E		+22%	Y5T
		-33%	Y5U
F		+30%	Y5V
		-80%	

3. Rated Voltage (D.C.)

Code	Voltage
1C	16V
1E	25V
1H	50V
1J	63V

4. Rated Capacitance

Code	Cap. (PF)
103	10,000PF
223	22,000PF
473	47,000PF
104	100,000PF
224	220,000PF
334	330,000PF

5. Tolerance On Rated Capacitance

Code	Tolerance	Rated T.C.
K	±10%	B (Y5P)
M	±20%	E (Y5T, Y5U)
Z	+80-20%	F (Y5V)

6. Lead Shape. (Ref. Fig. 3.)

Code	Type	
K	Bulk	Short Kink
S		Short Straight
L		Long Straight
A	Taping	Inside Kink
B		Straight

7. Lead Spacing. (F)

Code	Dimension (mm)		
	K	S	L
2	---	2.5±0.8	2.5±0.8
5	5.0±0.8	5.0±0.8	5.0±0.8
6	---	6.3±0.8	6.3±0.8
7	---	7.5±0.8	7.5±0.8
0	9.5±0.8	9.5±0.8	9.5±0.8

8. Lead Length. (L)

Code	Dimension (mm)		
	K	S	L
5	5.0±0.8	5.0±0.8	---
6	6.0±0.8	6.0±0.8	---
0	10.0±0.8	10.0±0.8	---
1	---	---	25min

9. Lead Wire. (d)

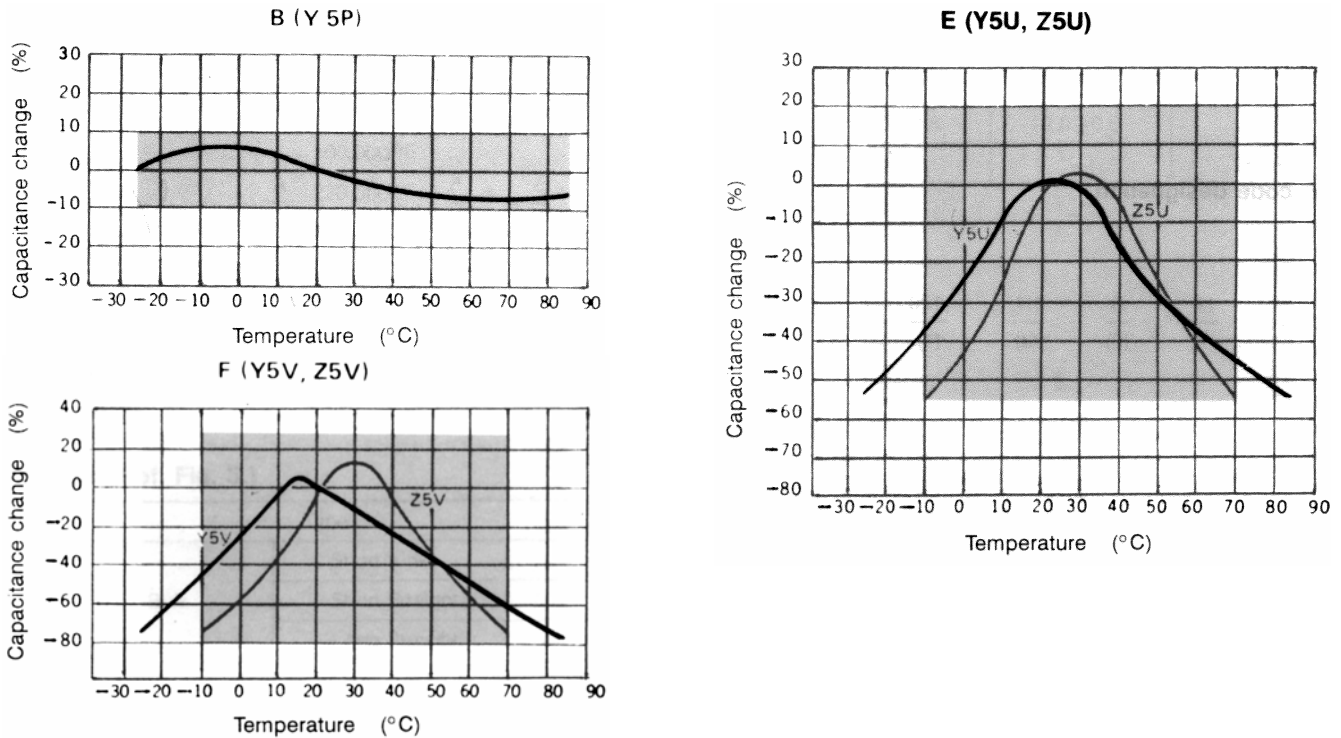
Code	Dia (φ mm)	Rated Voltage (D.C.)
5	0.5±0.05	16V ~ 63V
6	0.6±0.05	16V ~ 63V

*Taping type lead dia. 0.6mm only.

10. Package

Code	Package	Q'ty
B	Bulk	1000pcs
A	Ammo Pack	2000pcs
R	Tape Reel	2500pcs

Fig.2 (T.C. %)



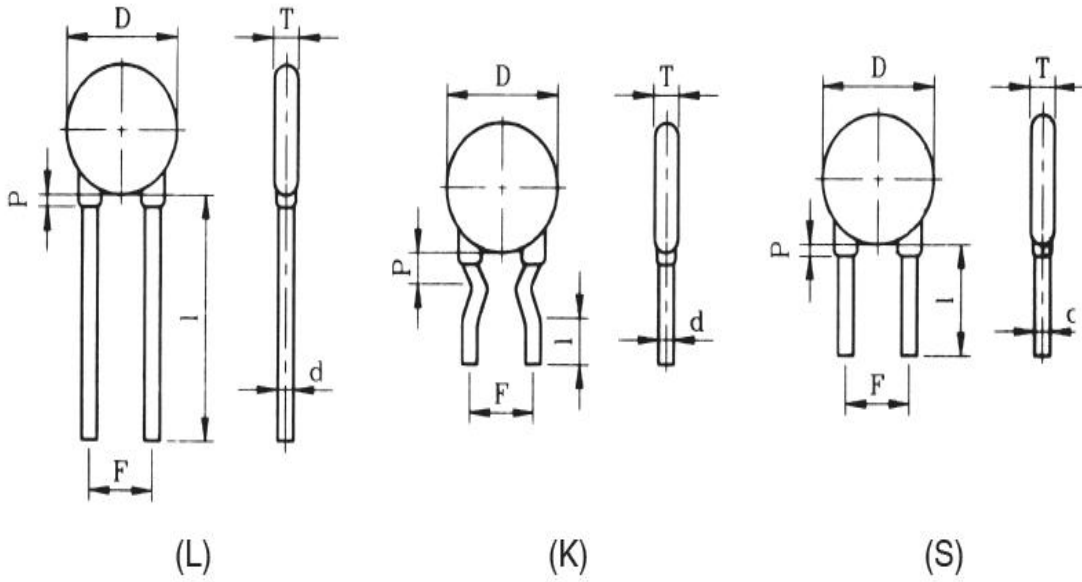
Dimension & Capacitance Range

Dia. (D) max	Dimension(mm)			Capacitance Range(PF)								
	Lead Spacing (F)			16V			25V			50 ~ 63V		
	K	S	L	B	E	F	B	E	F	B	E	F
4.5	5.0±0.8 to 10.0±0.8	2.5±0.8 to 10.0±0.8	2.5±0.8 to 10.0±0.8	---	---	---	472	---	403-473	332-472	103	103-223
5.5				---	473	103-473	682-123	103-223	---	103	153-333	333-473
6.5				---	---	104	153-223	333-473	104	123-183	403-683	503-104
7.5				---	104	---	273-333	104	---	223	823	683-104
8.5				---	---	---	393-473	---	---	273-333	104	---
9.5				---	---	---	503-683	224	224	393-473	---	224
10.5				104	224	224	---	---	334	503-683	224	334
11.5	---	---	474	823-104	---	---	---	---	---			

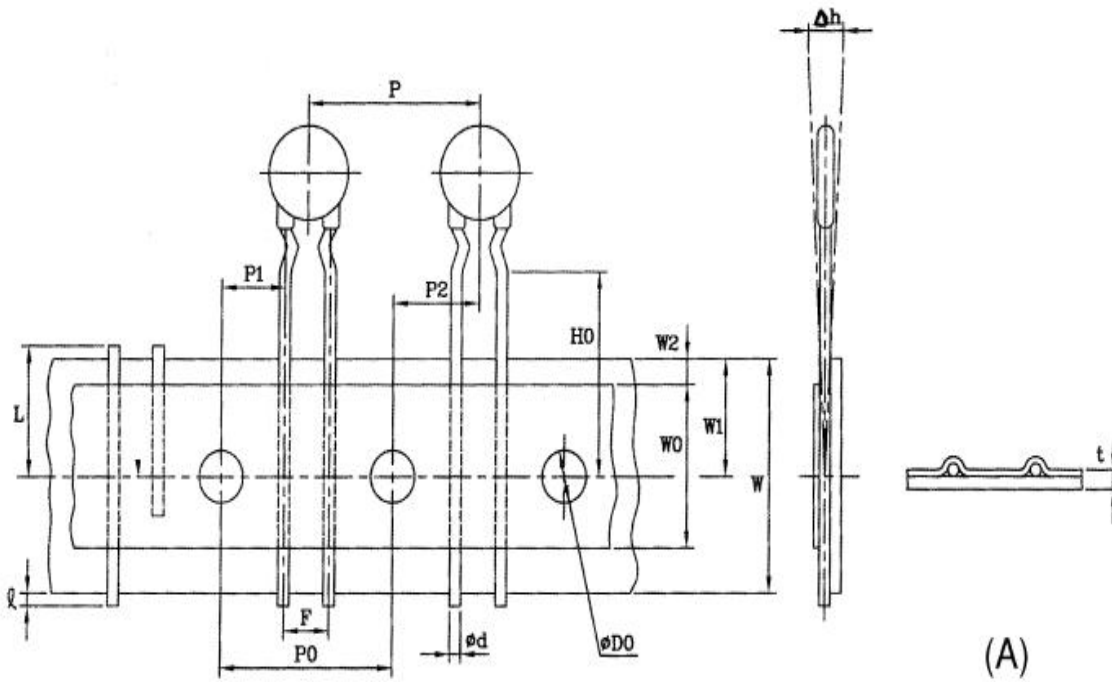
SPECIFICATION & TEST

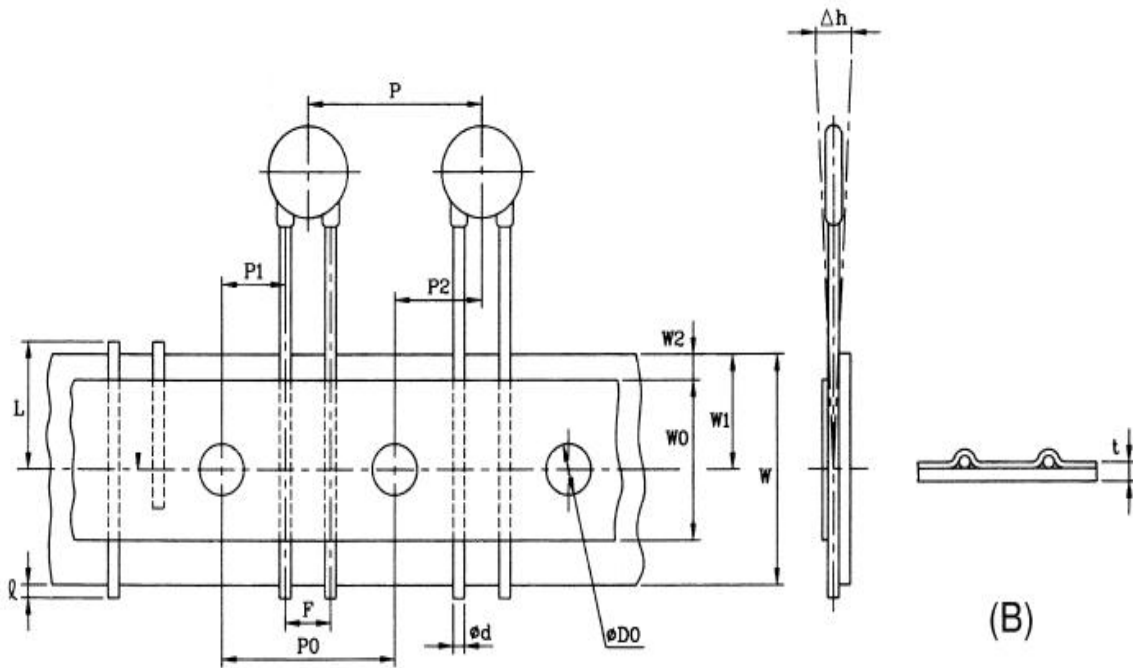
No.	Item	Performance	Test Method
1.	Visual & Mechanical	To meet the specification	The product shall be inspected for visible evidence of defect
2.	Marking	To be clear and legible	Marking shall be tested with acetone
3.	Voltage Proof (Between terminal)	No failure	Capacitor shall withstand, for not greater than 5 second, a D.C. test voltage of 2.5times rated voltage. Charging current shall be 10mA max
4.	Insulation resistance	12V/16V-100MΩ 25V/50V-1000MΩ	Shall be measured 1 minute after with 10±1V
5.	Capacitance	To be within the specified tolerance	Test frequency: 1KHz ±100Hz Test voltage shall not exceed 5Vrms at 25±2°C
6.	Dissipation Factor (Tan δ) (%)	Characteristic B, E : 2.5% max F : 5% max	Same condition as above (Item 5)

Lead Shape (Fig. 3)



Taping Specification





Symbol	P	P ₀	P ₁	P ₂	ϕd	F	Δh	W	W ₀	W ₁	W ₂	D ₀	t	L	H	H ₀
Dimension	12.7	12.7	3.85	6.35	0.6	2.54 5.08 6.35 7.62	0	18	12.5	9	3	4	0.7	11	20.0 23.0	16.0 18.0
Tolerance	± 1.0	± 0.3	± 0.7	± 1.0	± 0.05	+0.8 -0.2	± 2	± 0.5	Min	+0.75 -0.5	Max	± 0.3	± 0.2	Max	+1.5 -1.0	± 0.5