

Data Sheet

Customer: _____

Product: Thick Film Chip Resistor. High Surge HSR Series _____

Size : 0603/0805/1206/1210/2512 _____

Issued Date: 15-Jul.-2016 _____

Edition: Ver. 2 _____

Record of change

Date	Ver.	Description	Page
1-Apr.-2015	1	Revised available tolerance	2
15-Jul.-2016	2	Add surge duration curve	2

HITANO ENTERPRISE CORP.

7F-7, No. 3, Wu Chuan 1st Road, New Taipei Industrial Park,

New Taipei City, TAIWAN, R.O.C.

Tel: +886 2 2299 1331 (Rep.)

Fax: +886 2 2298 2466, 2298 2969

Prepared by	Checked by	Approved by	Accepted by (customer)
1-Apr.-2015	1-Apr.-2015	1-Apr.-2015	
<i>Andy Hsu</i>	<i>Hwa Wu</i>	<i>Hwa Wu</i>	

THICK FILM SURGE CHIP RESISTORS HSR SERIES

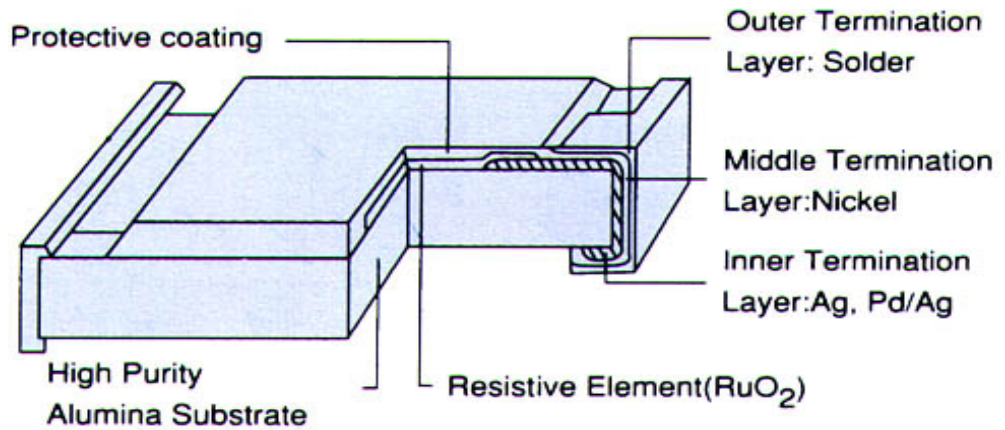
■ Features

- Small size and lightweight with size range per int'l standard
- Highly stable in auto-placement surface mounting application
- Suitable for withstanding circuit for surge voltage

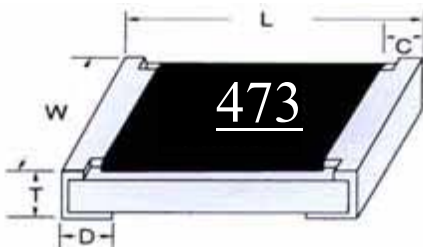
■ Applications

- CD-ROM
- Power supply
- Automotive industry
- Measurement instrument
- Medical or Military equipment
- Electronic watch and camera

■ Configuration



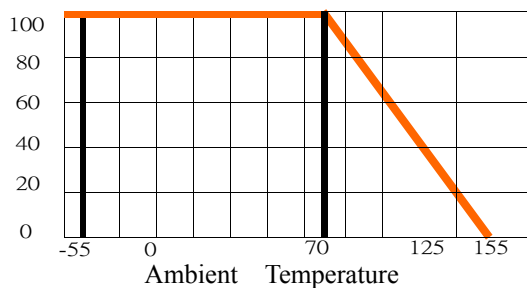
■ Dimensions



Size	L	W	C	D	T
0603	1.60±0.10	0.80±0.10	0.30±0.20	0.30±0.20	0.45±0.15
0805	2.00±0.10	1.25±0.10	0.40±0.20	0.40±0.20	0.50±0.15
1206	3.10±0.10	1.60±0.10	0.50±0.25	0.50±0.25	0.60±0.15
2010	5.00±0.20	2.50±0.20	0.60±0.25	0.60±0.25	0.55±0.10
2512	6.40±0.20	3.20±0.20	0.60±0.25	0.60±0.25	0.60±0.10

Unit(mm)

■ Power Derating Curve



Maximum dissipation in percentage of rated power as a function of the ambient temperature for 0603,0805,1206,2010,2512

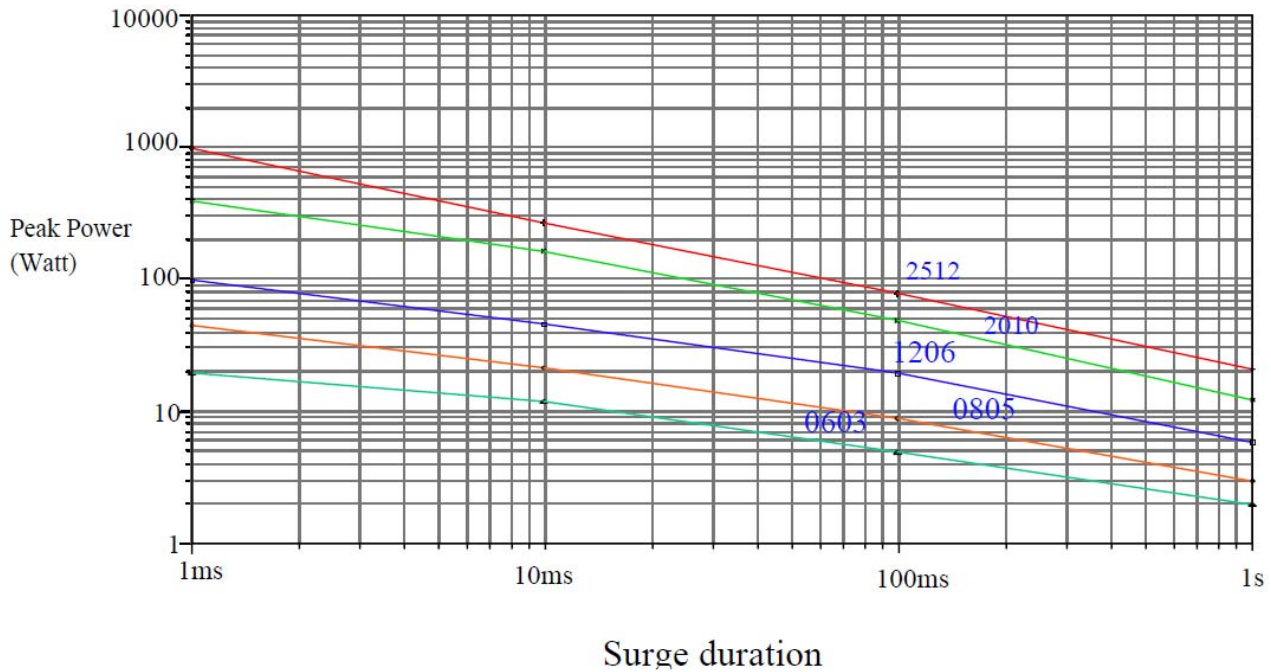
THICK FILM SURGE CHIP RESISTORS HSR SERIES

■ Rating

Type	Size	Power Rating at 70°C	Max. RCWV	Max. Overload Voltage	Resistance Tolerance (%)	Temperature Coefficient (TCR; ppm/°C)	Resistance Range		Standard Resistance Values
							Min.	Max.	
HSR0603	0603	1/10W	50V	100V	±5%(J)	±100	1Ω	1MΩ	E-24
HSR0805	0805	1/8W	150V	300V					
HSR1206	1206	1/4W	200V	400V					
HSR2010	2010	1/2W	200V	400V					
HSR2512	2512	1W	200V	400V					

Note : RCWV(Rated Continuous Working Voltage) = $\sqrt{P \cdot R}$ P: Rated power(W), R: Resistance value (Ω)

Surge Performance
0603,0805,1206,2010,2512



■ Resistor Marking

<u>HSR</u>	<u>0805</u>	<u>J</u>	<u>R</u>	=	<u>47KR</u>
Type	Size	Tolerance	Packing		Resistance(Ω)
	0603	J : ± 5%	R : Paper tape-5Kpcs		Resistance Value
	0805		K : Plastic tape-4Kpcs		For example
	1206				100R, 1KR, 10KR
	2010				100KR, 1MR
	2512				



3 digit marking

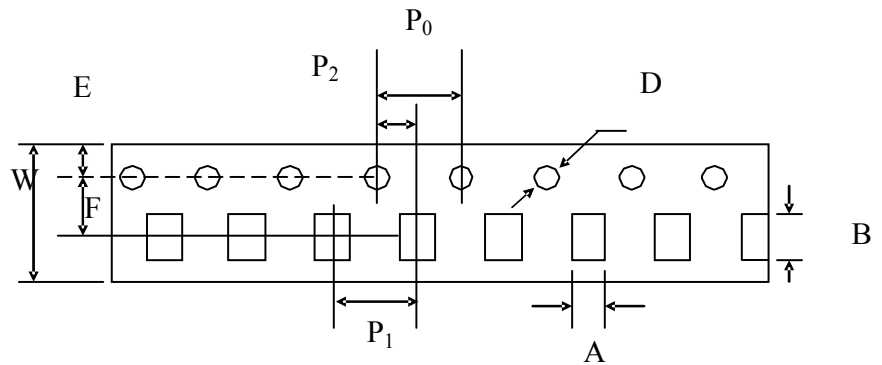
Underline for identification surge resistors

examples: 473 $47 \times 10^3 = 47K\Omega$

THICK FILM SURGE CHIP RESISTORS HSR SERIES

■ Tape And Reel Package

• Taping specs are according to EIA RS-481

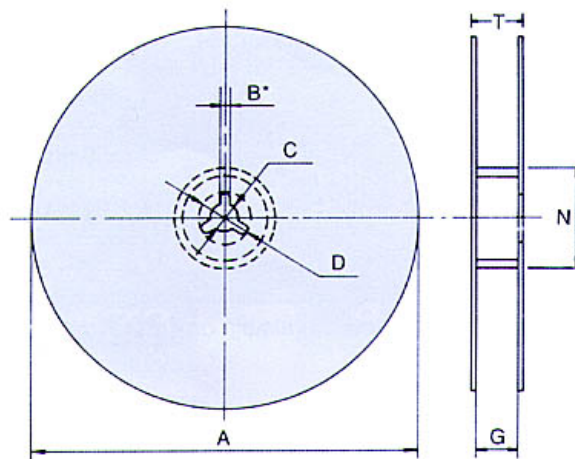


Accumulated dimensional tolerance $40 \pm 0.2 \text{mm}$

Size	A	B	W	F	E	P1	P2	P0	D
0603	1.10 ± 0.20	1.90 ± 0.20	8.00 ± 0.30	3.50 ± 0.05	1.75 ± 0.10	4.00 ± 0.10	2.00 ± 0.05	4.00 ± 0.10	$1.50 + 0.10 / -0$
0805	1.65 ± 0.20	2.40 ± 0.20	8.00 ± 0.30	3.50 ± 0.05	1.75 ± 0.10	4.00 ± 0.10	2.00 ± 0.05	4.00 ± 0.10	$1.50 + 0.10 / -0$
1206	2.00 ± 0.20	3.60 ± 0.20	8.00 ± 0.30	3.50 ± 0.05	1.75 ± 0.10	4.00 ± 0.10	2.00 ± 0.05	4.00 ± 0.10	$1.50 + 0.10 / -0$
2010	2.80 ± 0.20	5.50 ± 0.20	12.00 ± 0.30	5.50 ± 0.05	1.75 ± 0.10	4.00 ± 0.10	2.00 ± 0.05	4.00 ± 0.10	$1.50 + 0.10 / -0$
2512	3.50 ± 0.20	6.70 ± 0.20	12.00 ± 0.30	5.50 ± 0.05	1.75 ± 0.10	4.00 ± 0.10	2.00 ± 0.05	4.00 ± 0.10	$1.50 + 0.10 / -0$

(unit: mm)

■ Reel Package



Size	Packaging Q'ty	A	N	C	D	B	G	T
0603 0805 1206	5Kpcs / Reel	178.0 ± 2.0	60.0 ± 0.5	13.0 ± 0.5	20min	2.0 ± 0.5	10.0 ± 1.5	14.9 max.
	10Kpcs / Reel	254.0 ± 2.0	100.0 ± 1.0	13.5 ± 0.5	20min	2.0 ± 0.5	10.0 ± 1.5	14.9 max.
	20Kpcs / Reel	330.0 ± 2.0	100.0 ± 1.0	13.5 ± 0.5	20min	2.0 ± 0.5	10.0 ± 1.5	14.9 max.
2010 2512	4Kpcs / Reel	178.0 ± 2.0	60.0 ± 0.5	13.0 ± 0.5	20min	2.0 ± 0.5	13.8 ± 1.5	16.7 max.
	8Kpcs / Reel	254.0 ± 2.0	100.0 ± 1.0	13.5 ± 0.5	20min	2.0 ± 0.5	13.8 ± 1.5	20.0 max.
	16Kpcs / Reel	330.0 ± 2.0	100.0 ± 1.0	13.5 ± 0.5	20min	2.0 ± 0.5	13.8 ± 1.5	20.0 max.

(unit: mm)

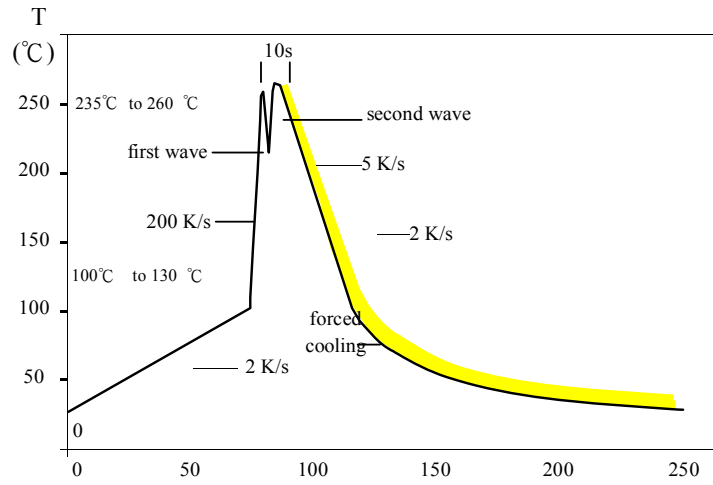
THICK FILM SURGE CHIP RESISTORS HSR SERIES

■ Specification And Test Methods

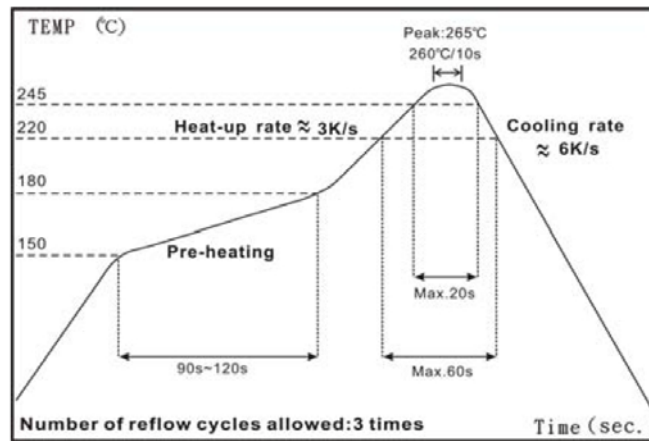
ITEM	SPECIFICATION	TEST METHOD
DC Resistance	F : ±1%, J : ±5%, K : ±10%, L : ±15%, M : ±20%	IEC 60115-1 4.5 / JIS C 5202 5.1 Measure the resistance value.
Short time Overload	$\Delta R \leq \pm (2\% + 0.1\Omega)$	IEC 60115-1 4.13 / JIS C 5202 5.5 2.5×Rated voltage or Max. Overload Voltage for 5 sec. measure resistance after 30 minutes
Solderability	Over 95% of termination must be covered with solder	IEC 60115-1 4.17 / JIS C 5202 6.5 After immersing flux, dip in the 235±2°C molten solder bath for 2±0.5 sec.
Resistance to Solder Heat	$\Delta R \leq \pm (1\% + 0.1\Omega)$ No mechanical damage	IEC 60115-1 4.18 / JIS C 5202 6.4 With 260±5°C for 10±1 sec.
Temperature Coefficient of Resistance (TCR)	±100 ppm/°C	IEC 60115-1 / JIS C 5201-1, Clause 4.8 Test temperature : 25°C (T1) → -55°C (T2) 25°C (T1) → +155°C (T2) $TCR (ppm/^{\circ}C) = \frac{R2-R1}{R1} \times \frac{1}{T2-T1} \times 10^6$ T1: 25°C T2: Test temperature R1: Resistance at reference temperature (T1) R2: Resistance at test temperature (T2)
Load Life Humidity	$\Delta R \leq \pm (3\% + 0.1\Omega)$	IEC 60115-1 4.24.2 / JIS C 5202 7.9 Maintain the temperature of the resistor at 40±2°C and 90~95% R.H. with the rated voltage applied. Cycle ON for 1.5 hours and OFF for 0.5 hour for 1000+48/-0 hours. After 1~4 hour, measure the resistance value.
Load Life	$\Delta R \leq \pm (3\% + 0.1\Omega)$	IEC 60115-1 4.25.1 / JIS C 5202 7.10 Permanent resistance change after 1000+48/-0 hours (1.5 hours ON, 0.5 hour OFF) at RCWV or Max. Keep the resistor at 70±2°C ambient
Intermittent Overload	$\Delta R \leq \pm (5\% + 0.1\Omega)$ No mechanical damage	JIS C 5202 5.8 4.0×Rated voltage (Max. Overload Voltage) 1 sec ON, 25 sec OFF, test 10,000 cycles
Temperature Cycle	$\Delta R \leq \pm (1\% + 0.1\Omega)$ No mechanical damage	IEC 60115-1 4.19 / JIS C 5202 7.4 Repeat 5 cycles as follows -55°C (30 min.) + 25°C (2~3 min.) +155°C (30 min.) + 25°C (2~3 min.)
Insulation Resistance	Between termination and coating must be over 1000MΩ	IEC 60115-1 4.6.1.1 / JIS C 5202 5.6 Test voltage: 100±15V
Bending Strength	$\Delta R \leq \pm (1\% + 0.1\Omega)$ No mechanical damage	IEC 60115-1 4.33 Resistance change after bended on the 90mm PCB. Bend: 3mm for 0603、0805, 2mm for 1206, 2010, 2512

THICK FILM SURGE CHIP RESISTORS HSR SERIES

■ Soldering Temperature Curve



Process limits (dotted line). **WAVE soldering.**



IR Reflow Soldering