

SPECIFICATION

- Operating temperature range: -25°C~+85°C
- Rated working voltage: 2KV to 15KV
- Capacitance: Within tolerance for Class I at 1MHz. Class II at 1 KHz, 1 to 3Vrms, 25°C
- Test voltage: 2KV & above: 2 times rated voltage, 3 ~ 5KV: 1.75 times, 6 ~ 15KV: 1.5 times. 50mA max charging current for 1 ~ 5 seconds.
- Dissipation factor/Q factor:
 Class I: 1MHz, 1 TO 3Vrms, 25°C
 C≤30PF.....Q≥400+20C
 C>30PF.....Q≥ 1,000
 Class II: 1KHz, 1 TO 3Vrms, 25°C
 B, E.....2.5% Max
 F 5% Max
- Insulation Resistance: 10,000 MΩ or 200 MΩ .μF, whichever is smaller.
- Humidity test: Per EIA RS198-C, Method B3, Condition B. ΔC/C: 30% Max for F, 20% Max for others.
- Life test: Per EIA RS198-C, Method C2, Condition C at 85±2°C and 200% rated working voltage.
 ΔC/C: 30% Max for F, 20% Max for others.. DF: 5% max for F, 3% Max for others. I.R.: 10,000 MΩ Min.

Part No. Designation

| | | | | | | | | | | | | | |
|---------|-----|-----|-----|-----|-----|---|-----|-----|-----|-----|------|------|------|
| Example | K | B | 3H | 102 | K | - | L | 5 | 1 | 6 | B | D | 10 |
| | (1) | (2) | (3) | (4) | (5) | | (6) | (7) | (8) | (9) | (10) | (11) | (12) |

1.High voltage—type ‘K’

2.Temperature coefficient (Ref. Fig 1 & 2)

CLASS I : NPO, SL

CLASS II : B, E, F

3. Rated Voltage (D.C.)

| Code | Voltage | Code | Voltage |
|------|---------|------|---------|
| 3D | 2KV | 3I | 6KV |
| 3F | 3KV | 3J | 8KV |
| 3G | 4KV | 4A | 10KV |
| 3H | 5KV | 4C | 15KV |

4.Rated capacitance

100PF ~ 47000PF in E-24 Series Coded by

Two Significant digits + No. of Zero

5.Tolerance on rated capacitance

J = ±5%, K = ±10%, M = ±20%, Z = +80-20 %

6.Lead Shape. (Ref. Fig. 3)

| Code | Type | |
|------|--------|----------------|
| K | Bulk | Short Kink |
| S | | Short Straight |
| L | | Long Straight |
| A | Taping | Inside kink |
| B | | Straight |

7.Lead Spacing. (F)

| Code | Dimension. (mm) | | |
|------|-----------------|---|---|
| | K | S | L |
| 5 | 5.0 ± 0.8 | | |
| 6 | 6.35 ± 0.8 | | |
| 7 | 7.5 ± 0.8 | | |
| 0 | 9.5 ± 0.8 | | |

8.Lead Length. (L)

| Code | Dimension (mm) | | |
|------|----------------|------------|-------|
| | K | S | L |
| 5 | 5.0 ± 0.8 | 5.0 ± 0.8 | |
| 6 | 6.0 ± 0.8 | 6.0 ± 0.8 | |
| 0 | 10.0 ± 0.8 | 10.0 ± 0.8 | |
| 1 | --- | --- | 25min |

9.Lead Wire. (d)

| Code | Dia (φ mm) | Rated Voltage (D.C.) |
|------|-------------|----------------------|
| 6 | 0.6 ± 0.05 | 2KV~ 8KV |
| 8 | 0.8 ± 0.05 | 6KV~ 15KV |

10. Package

| Code | Package | Q'ty |
|------|-----------|---------|
| B | Bulk | 1000pcs |
| A | Ammo Pack | 2000pcs |
| R | Tape Reel | 2500pcs |

11. Extra Diameter Code : D

12. Diameter in mm

| Code | Dia (φ mm) |
|------|-------------|
| 10 | 10 |

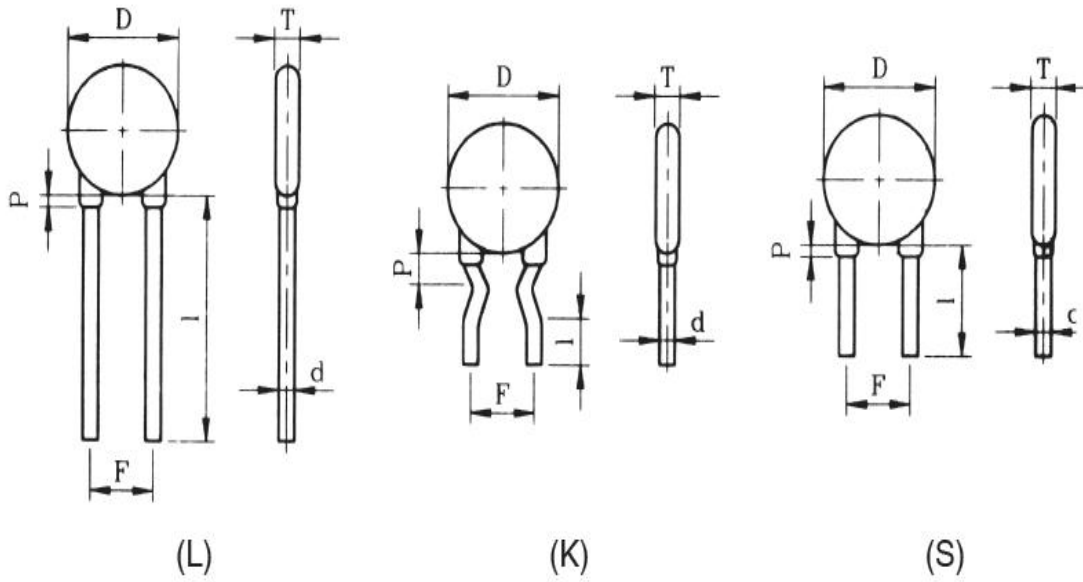
HIGH VOLTAGE CERAMIC CAPACITORS 2KV-15KV

| RATED VOLTAGE (DC) | Temperature Characteristic / Capacitance (pF) | | | | | Size max |
|-----------------------|-------------------------------------------------|-----------|-------------|---------------|---------------|--------------|
| | NPO | SL | B (Y5P) | E (Z5U) | F (Z5V) | Dia (φ mm) |
| 2KV | 1 – 27 | 10 – 68 | 100 – 470 | 1000 – 1500 | 1000 – 1500 | 6.5 |
| | 30 – 39 | 80 – 100 | 560 – 1000 | 1800 – 2700 | 1800 – 2700 | 7.5 |
| | 47 – 68 | 120 – 150 | 1200 – 1500 | 3000 – 3900 | 3000 – 5000 | 8.5 |
| | - | 180 – 220 | 1800 | 4700 – 5000 | 5600 – 6800 | 9.5 |
| | 75 – 82 | 270 – 300 | 2200 | 5600 – 6800 | 10000 | 10.5 |
| | - | 330 – 390 | 3300 | 10000 | - | 11.5 |
| | 100 – 120 | - | - | - | - | 12.5 |
| | - | 470 | 3900 – 5000 | - | 15000 – 18000 | 14.5 |
| | - | - | 5600 – 6800 | 15000 – 18000 | 20000 – 22000 | 15.5 |
| | - | 560 | - | - | - | 16.5 |
| | - | - | 10000 | 20000 - 22000 | - | 17.5 |
| 3KV | 1 – 18 | 10 – 56 | 100 – 470 | 1000 | 1000 | 6.5 |
| | 20 – 30 | 68 – 82 | 560 – 680 | 1200 | 1200 – 2000 | 7.5 |
| | 33 | 100 | 820 – 1000 | 1500 – 1800 | 2200 – 2700 | 8.5 |
| | - | 120 – 150 | - | 2000 – 2700 | 3000 – 5000 | 9.5 |
| | 36 – 47 | 180 | 1200 – 1500 | 3000 – 3900 | 5600 – 6800 | 10.5 |
| | - | 200 | 1800 – 2200 | 4700 – 5000 | 8200 | 11.5 |
| | 56 – 68 | - | - | - | - | 12.5 |
| | - | 220 – 300 | 2700 – 3300 | 5600 | - | 13.5 |
| | 82 | - | - | 6800 | - | 14.5 |
| | - | 330 | 3900 – 4700 | 8200 – 10000 | 10000 | 15.5 |
| | 100 | 390 | - | - | - | 16.5 |
| | - | 470 – 560 | - | - | - | 18.5 |

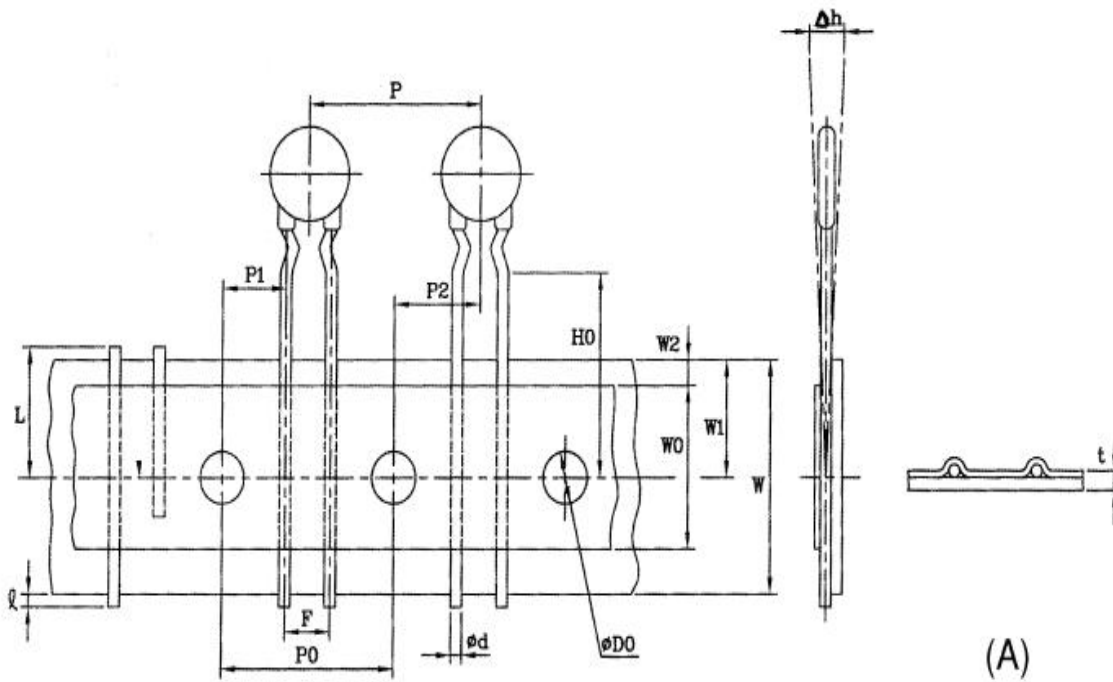
**For voltage higher than 3KV, please contact us for separate data sheet with the diameter of disc capacitors.

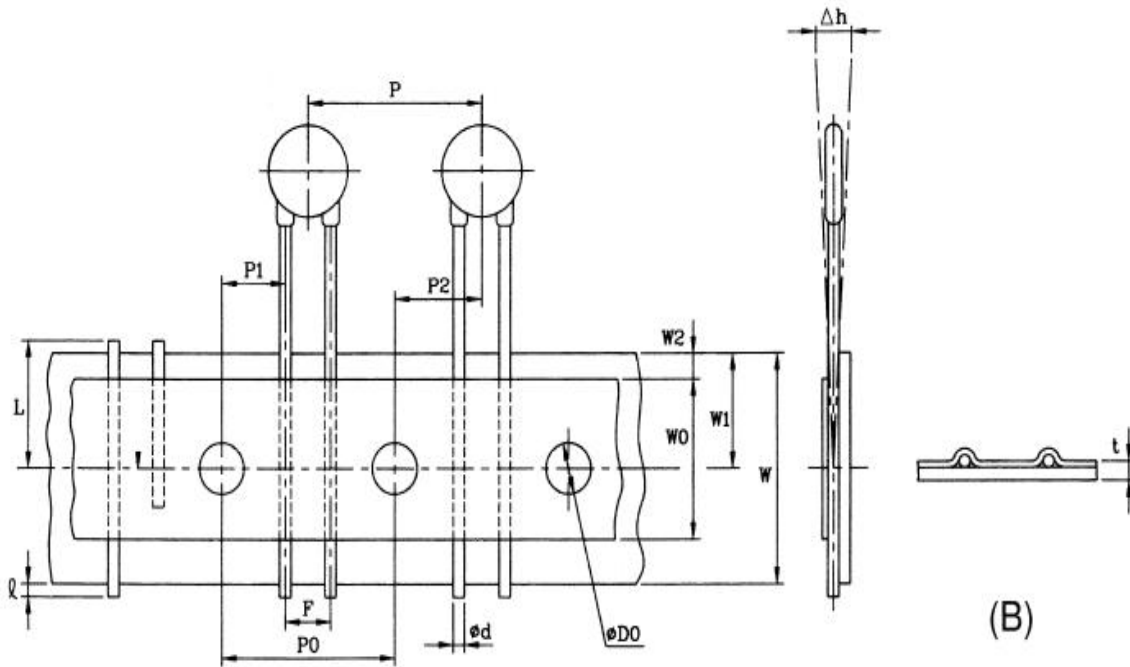
**All product specifications are subject to change without notice. Please confirm before you order.

Lead Shape (Fig. 3)



Taping Specification





| Symbol | P | P ₀ | P ₁ | P ₂ | ϕd | F | Δh | W | W ₀ | W ₁ | W ₂ | D ₀ | t | L | H | H ₀ |
|-----------|------|----------------|----------------|----------------|----------|----------------------|------------|------|----------------|----------------|----------------|----------------|------|-----|--------------|----------------|
| Dimension | 12.7 | 12.7 | 3.85 | 6.35 | 0.6 | 5.08 6.35 7.62 | 0 | 18 | 12.5 | 9 | 3 | 4 | 0.7 | 11 | 20.0 23.0 | 16.0 18.0 |
| Tolerance | ±1.0 | ±0.3 | ±0.7 | ±1.0 | ±0.05 | +0.8 -0.2 | ±2 | ±0.5 | Min | +0.75 -0.5 | Max | ±0.3 | ±0.2 | Max | +1.5 -1.0 | ±0.5 |